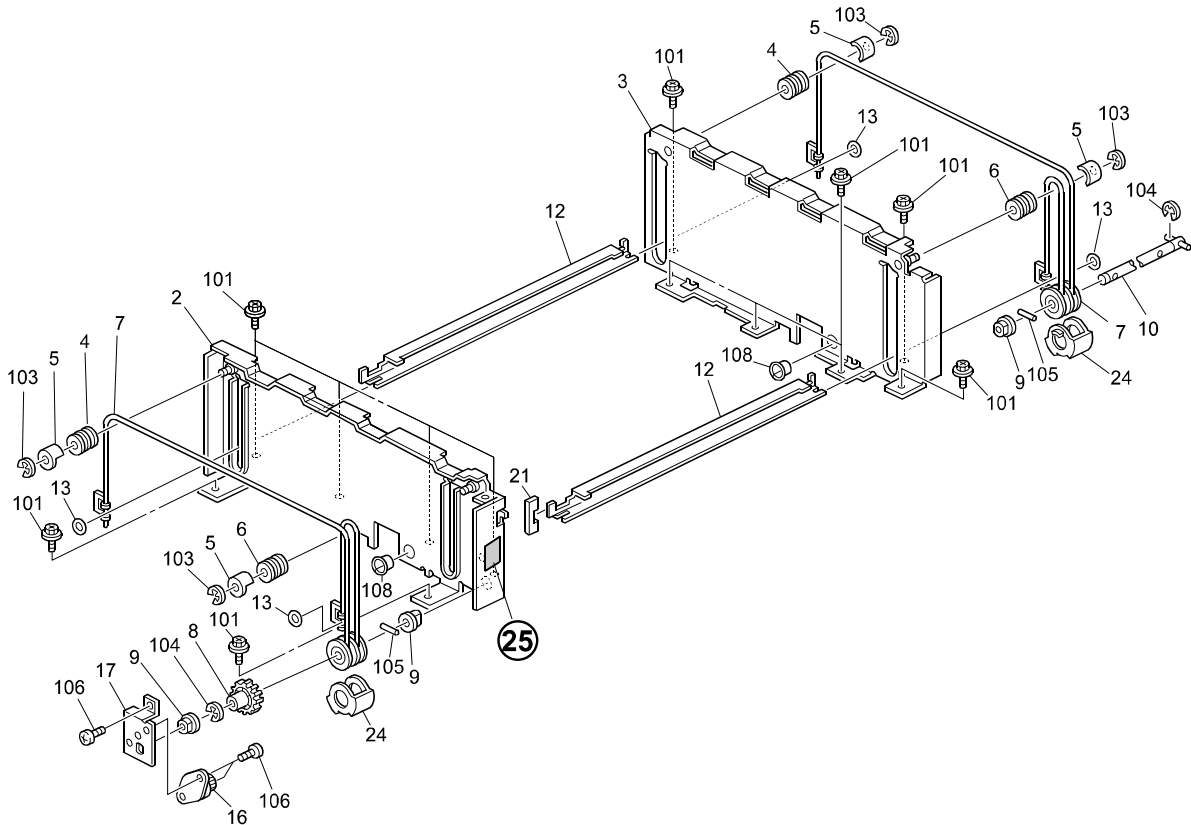


Model: Martini-C1 LCT (RT43) / B4/LG Kit / A3/DLT Kit	Date: 9-Jan-03	No.: MB473001
-------------------------------------------------------	----------------	---------------

Modified Article: Case Seal		Prepared by: K. Miura	
From: Technical Services Sec. Service Planning Dept.			
Reason for Modification:	<input type="checkbox"/> Parts catalog correction	<input type="checkbox"/> Vendor change	<input type="checkbox"/> To meet standards ()
	<input type="checkbox"/> To facilitate assembly	<input checked="" type="checkbox"/> To improve reliability	
	<input type="checkbox"/> Part standardization	<input type="checkbox"/> Other	

The following has been added to ensure that the wire shown below does not come out of position, which can occur when the A3/DLT kit is forcibly closed while there is slack in the wire (see the next page for the attachment position).

Old part number	New part number	Description	Q'ty	Int	Page	Index	Note
	AA152441	Case Seal	1		19	25	



Model: Martini-C1 LCT (RT43) / B4/LG Kit / A3/DLT Kit	Date: 9-Jan-03	No.: MB473001
-------------------------------------------------------	----------------	---------------

In the Field:

Please add the Case Seal as follows:

